



LAH.06.10200
 Yamaha Tenere 700
 Auxiliary Light Mounting Bracket

Thank you for choosing DENALI

We know you would rather be riding your bike than wrenching on it, so we go the extra mile to make sure our instructions are clear and as easy to understand as possible. If you have any questions, comments, or suggestions don't hesitate to give our gear experts a call at 401.360.2550 or visit WWW.DENALIELECTRONICS.COM

Please Read Before Installing

DENALI products should always be installed by a qualified motorcycle technician. If you are unsure of your ability to properly install a product, please have the product installed by your local motorcycle dealer. DENALI takes no responsibility for damages caused by improper installation. **Caution:** When installing electronics it is extremely important to pay close attention to how wires are routed, especially when mounting products to the front fender, front forks, or fairing of your motorcycle. Always be sure to turn the handlebars fully left, fully right, and fully compress the suspension to ensure the wires will not bind and have enough slack for your motorcycle to operate properly.

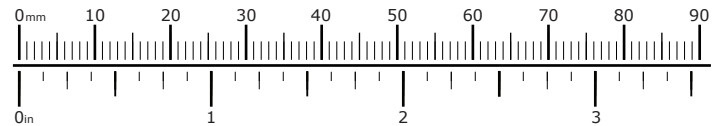
Installation Tips

We strongly recommend using medium strength liquid thread locker on all screws, nuts, and bolts. It is also important to ensure that all hardware is tightened to the proper torque specifications as listed in your owner's manual. For included accessory hardware please refer to the default torque specifications provided below. Inspect all hardware after the first 30 miles to ensure proper torque specifications are maintained.

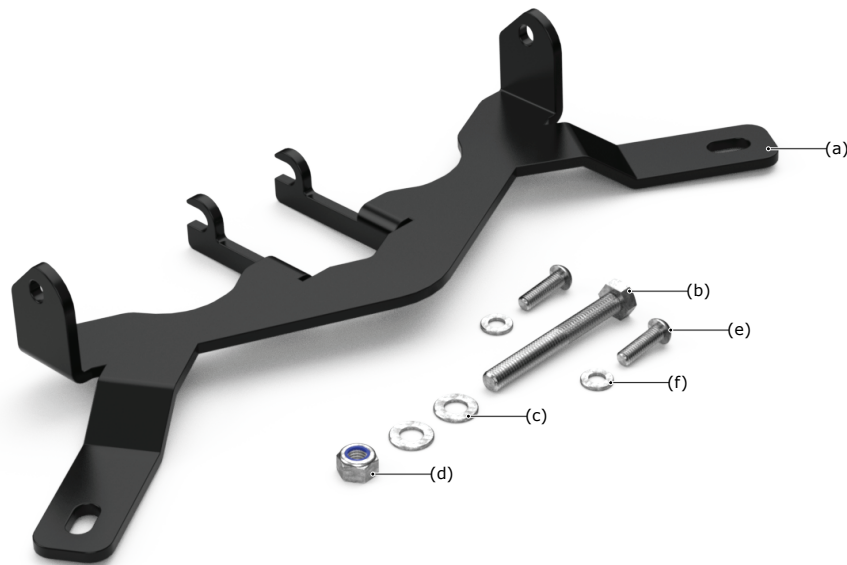
Bolt Size	in-lbs	ft-lbs	Nm
M3	10.0 in-lbs	-	1.0 Nm
M4	23.0 in-lbs	-	2.5 Nm
M5	44.5 in-lbs	3.5 ft-lbs	5.0 Nm
M6	78.0 in-lbs	6.5 ft-lbs	9.0 Nm
M8	-	13.5 ft-lbs	18.0 Nm
M10	-	30.0 ft-lbs	41.0 Nm
M12	-	52.0 ft-lbs	71.0 Nm

Hardware Sizing Guide

Not sure what size bolt you have? Use this ruler to measure screws, bolts, spacers, etc. Remember, the length of a screw or bolt is measured from the start of the "mounting surface" to the end of the screw, so only include the screw head when measuring countersunk screws.



What's In The Box?

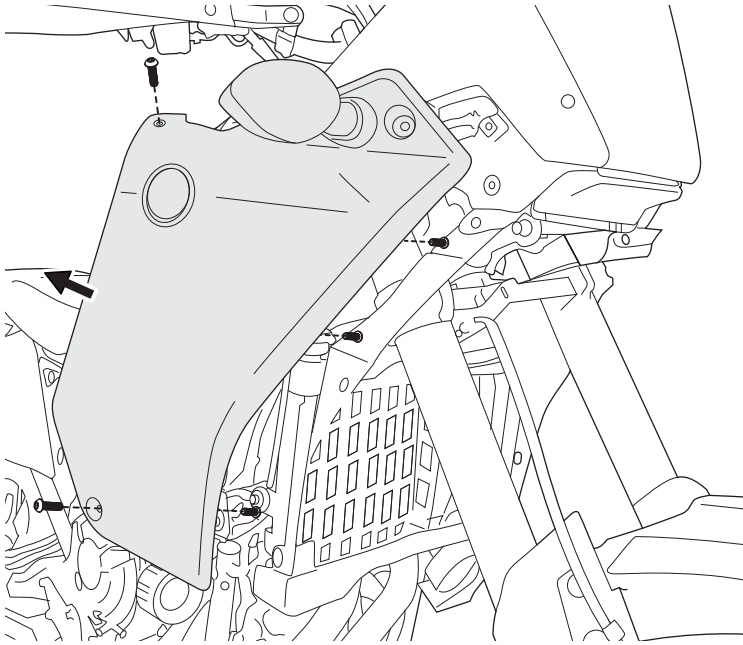


Kit Contents

- (a) Light Mounting Bracket.....Qty 1
- (b) M8x65 DIN 933.....Qty 1
- (c) M8 Washer DIN 125.....Qty 2
- (d) M8 Nut DIN 985.....Qty 1
- (e) M6x20 ISO 7380.....Qty 2
- (f) M6 Washer DIN 125.....Qty 2

Tools Required: 13mm Wrench(s), 12mm Wrench, 8mm Wrench, 6mm Allen Key, 4mm Allen Key

1. Accessing The Mounting Points



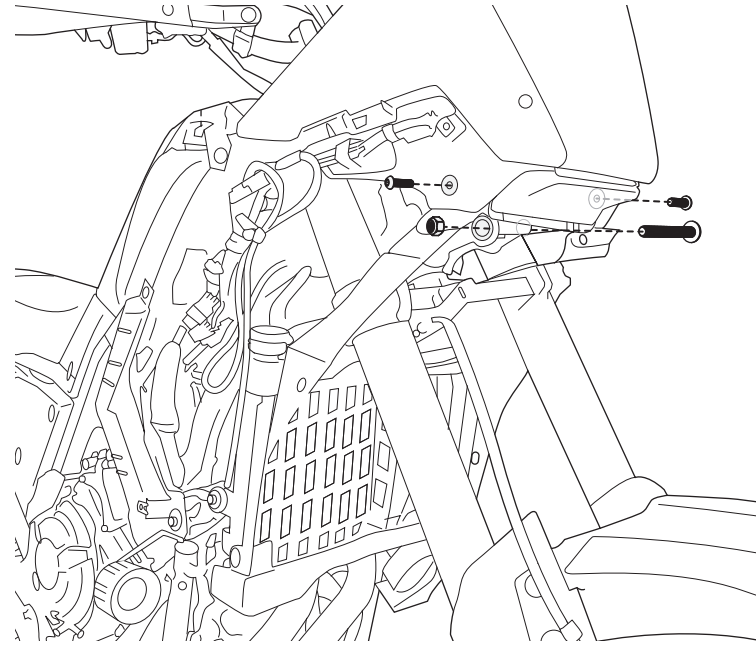
1.1 - Removing The Side Panels

The left and right side panels will need to be removed from the motorcycle for installation of the light mounting bracket. Each side panel is secured to the bike by three bolts, three screw-type plastic retainer rivets as well as a series of mounting tabs.

Step One: Remove the three plastic retainer rivets from the inside of each side panel. To do this, use a 8mm wrench to turn the bolt head a quarter turn counterclockwise, then pull the retainer rivets from the panels.

Step Two: Use a 8mm wrench to remove the three bolts from the outside of each panel.

Step Three: Slide each side panel towards the rear of the motorcycle to release the panels mounting tabs from the slots on the motorcycle. The turn signals will need to be disconnected once the panel is partially removed.

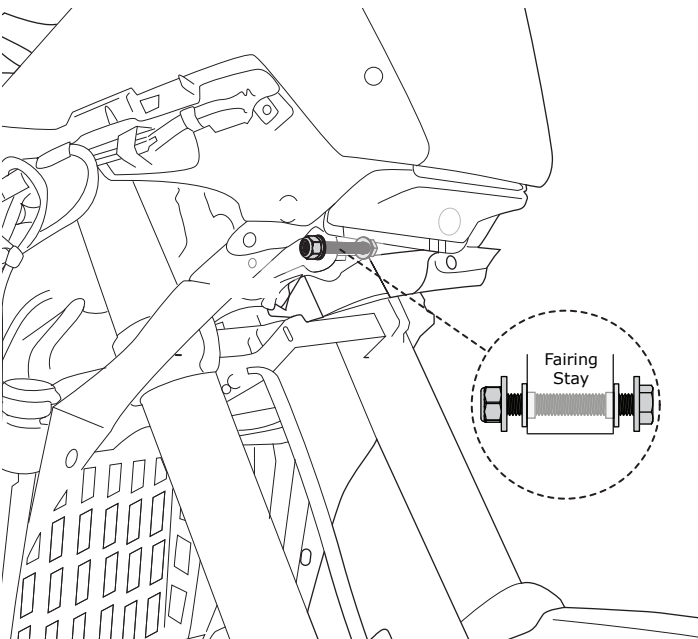


1.2 - Removing The OEM Hardware

Step One: Use a 8mm wrench to remove the silver flange head bolt from either side of the headlight assembly. There will also be a bushing in each mounting hole, be sure to keep these as they will be re-used during installation.

Step Two: Use a 12mm wrench and 6mm allen key to remove the lower fairing stay bolt located between the fork legs. This mounting point will also have a bushing on either side, again be sure to keep them as they will be re-used during installation.

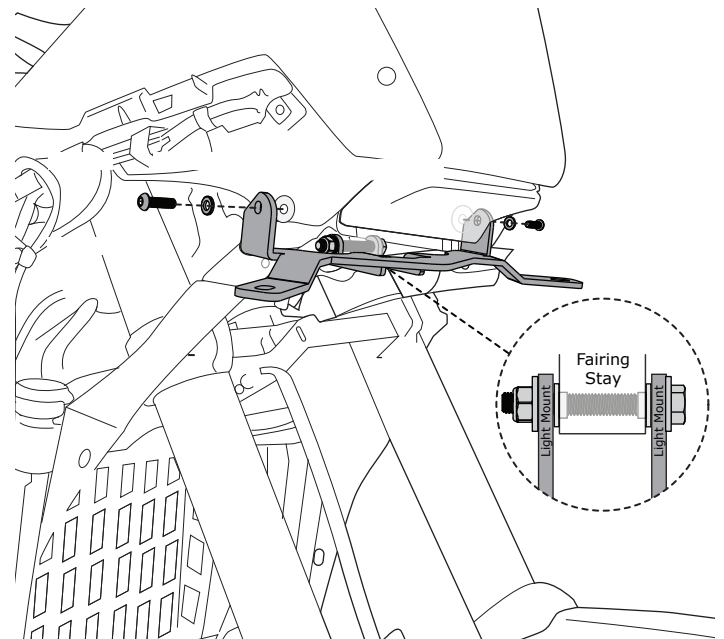
2. Mounting The Bracket



2.1 - Installing The Fairing Stay Bolt

Step One: Install the new M8x65 bolt (b) and washers (c) into low fairing stay, make sure to re-use the OEM bushings.

Step Two: Thread the M8 nut (d) onto the M8x65 bolt (b) just far enough that it will not fall off, the nut will be fully tightened during the final step.



2.2 - Installing The Bracket

Step One: Slide the light mounting bracket (a) onto the previously installed M8x65 bolt (b). The OEM bushings should sit on the inside of the light mounting bracket's arms and the M8 washers (c) should sit on the outside of the arms.

Step Two: Reinstall the OEM bushings into the upper mounting points and hinge the light mounting bracket (a) upwards until the upper mounting tabs are aligned, then use a 4mm allen key to install the M6x20 bolts (e), & washers (f).

Step Three: Fully tighten the M6x20 bolts at both upper mounting points, then use two 13mm wrenches to fully tighten the M8x65 bolt & nut at the lower mounting point.